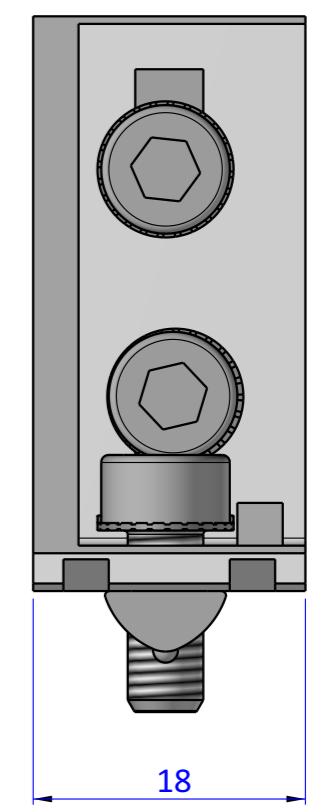
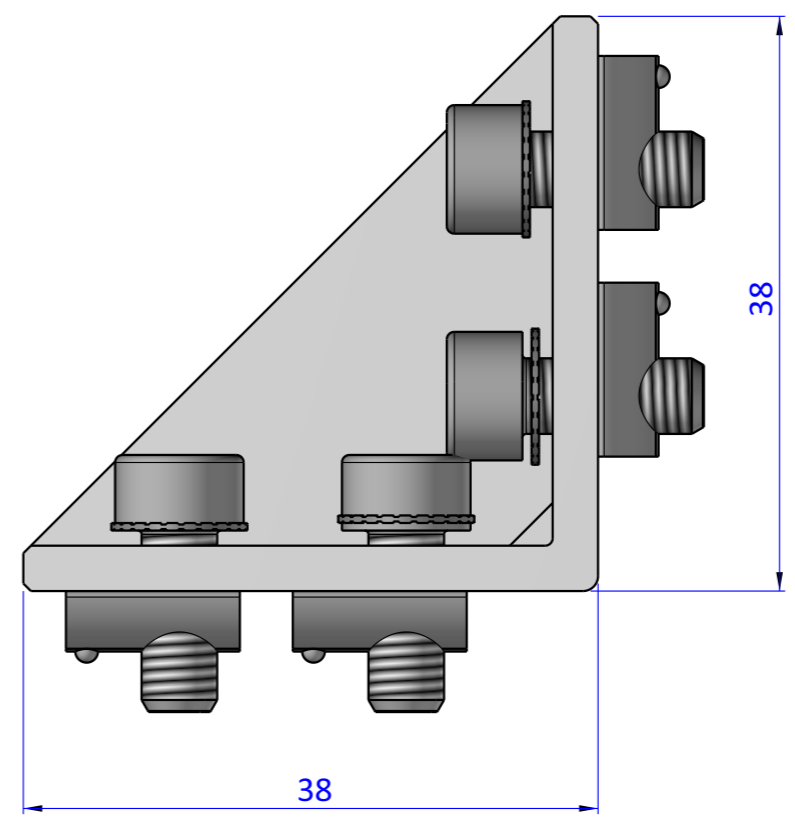
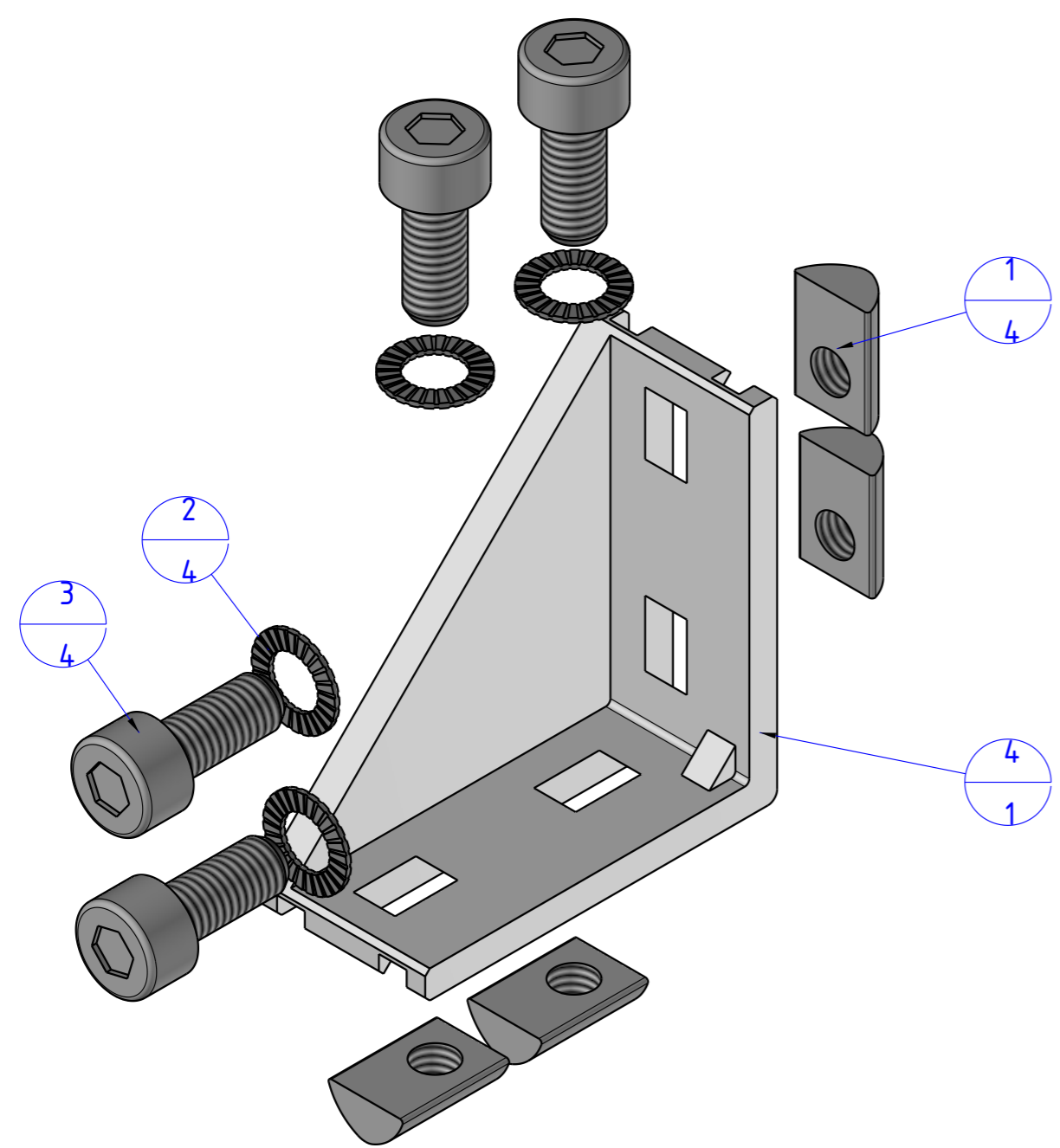

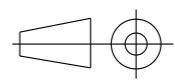


THE PROPERTY OF THE DRAWING IS ESTABLISHED BY LAW. IT IS FORBIDDEN TO PRODUCE OR SHOW IT TO THIRD PART. WITHOUT A WRITTEN AGREEMENT.

Item	Name	Q.ty
1	CA.02.05.003	4
2	R.5.SCH	4
3	V.TCE5x12	4
4	WIV.X.25.E	1



Format A3  
UNI 936-76

 <b>FPS</b> FPSERVICES AUTOMATION			DESIGNED FROM <b>FPS Automation</b>	REVIEW <b>A</b>
GENERAL TOLERANCE UNI - ISO 2768 CLASSE f	DESCRIPTION <b>CA.WIV.5.25.E</b>		DATE 05/02/2021	WEIGHT 0,023kg
			CODE <b>CA.WIV.5.25.E</b>	